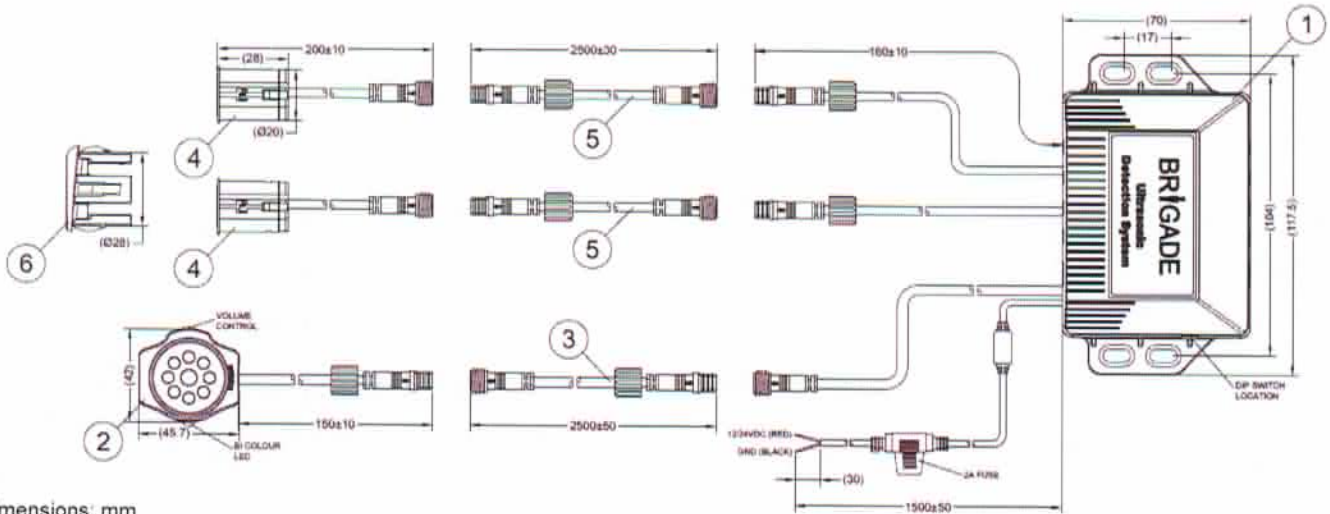


# Product Specification

Brigade Model Number: **ST-2000**  
 Brigade Stock Code: **3742**



Dimensions: mm

## Product Specification

### Technical Specifications

- Operating Voltage: 10-32Vdc
- Current Consumption: 200mA @ 12Vdc
- Power Consumption: 2.4 Watts @ 12Vdc
- Buzzer Frequency: 2400Hz ± 200Hz
- Volume: 72-90 ± 5 dB @ 30cm
- No. of detection zones: 3
- Zone distances: Zone 1 = 0.00-0.40m  
Zone 2 = 0.40-0.80m  
Zone 3 = 0.80-1.00m
- Zone tolerance: ±10cm
- Min sensor height: 400mm
- Max sensor cable length: 10m
- Detection Angle: 90°(H), 60°(V)
- Cable Specification: 24 AWG
- Casing Material: ABS+70%PC
- Colour: Black

### Environmental Specifications

- Vibration Rating: 5G
- Shock rating: 10G
- Connector IP Rating: IP68
- ECU IP Rating: IP69K
- Operating Temperature: -30° to +80 °C
- Storage Temperature: -40° to +85°C

### Approved Standards

- CE
- FCC
- 'e' Mark
- RoHS
- HALT

### Features

- 2 Sensor system
- 0.6m or 1.0m detection range (selectable via dip switch)
- 2 sensitivity levels (selectable via dip switch)
- Buzzer with audible distance warning, LED and volume control.
- Environment Learning Mode (ELM) - Prevents false alarms from vehicle ancillary equipment intruding into the first 1m of the detection zone.
- Detection within 200ms
- Configurable sensor housing (through hole or under slung)
- Common components throughout UDS range.

### Package Contents

- 1x ECU (1)
- 1x Buzzer (2)
- 2x Sensors (4)
- 2x 2.5m sensor cables (5)
- 1x 2.5m buzzer cable (3)
- 2x 11° sensor sleeves (6)
- 2x 18° sensor sleeves (not shown)
- 2x 26° sensor sleeves (not shown)
- 1x Installation Guide (not shown)

### Dipswitch Configuration

